



BONTECK PRECISION CO., LTD.

SU-SHIN, CHANG PING, DONG GUAN CITY, GUANGDONG

TEL: 86.769.3818660 FAX: 86.769.3819660 E-MAIL: bonteck@21cn.net

SPECIFICATION

PIR MOTION SENSOR WH THREADED ARM MD.ES-180NX3-2VR

FEATURES

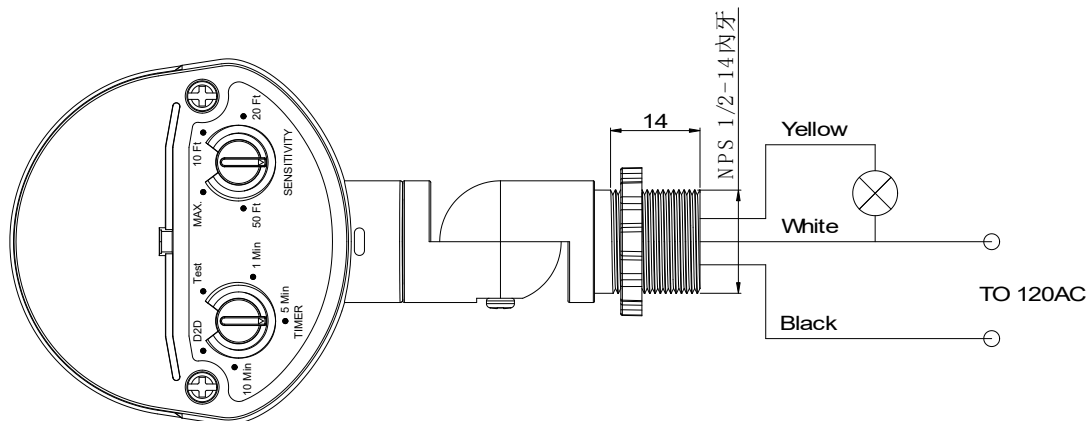
- ↕ Test Mode + Auto Mode ↔ Manual Override + Dusk-to-Dawn Mode
- ↕ Continuous adjustments of the sensitivity from 5 ft. to 60 ft. with max. 180° detection range
- ↕ Continuous adjustments of the Shut off delay time from 10 Sec. to 300Sec .
- ↕ 8 hr Auto re-set Manual Override or re-set by flipping the switch within 3"
- ↕ LED Indicator will flash 1 second when sensor detect motions
- ↕ Plastic Enclosure in PC 5VA, UV Rating
- ↕ UL & CUL approved (UL file No. E127584)



ELECTRICAL CHARACTERISTICS

DESCRIPTIONS	SPECIFICATIONS
Input power	120 VAC±10 % , 60Hz
Load Rating	Max. 500W Incandescent lamp Or Max 200W LED Driver/LED bulb
Operation LUX	OFF→ON 10-90LUX ON→OFF Max: 800LUX
Power Consumption	Max. 0.5 Watt when stand-by
Operation Temp	- 30°C ~ 50°C

WIRING DIAGRAM



Wires in 1007 18AWG 80°C 300V